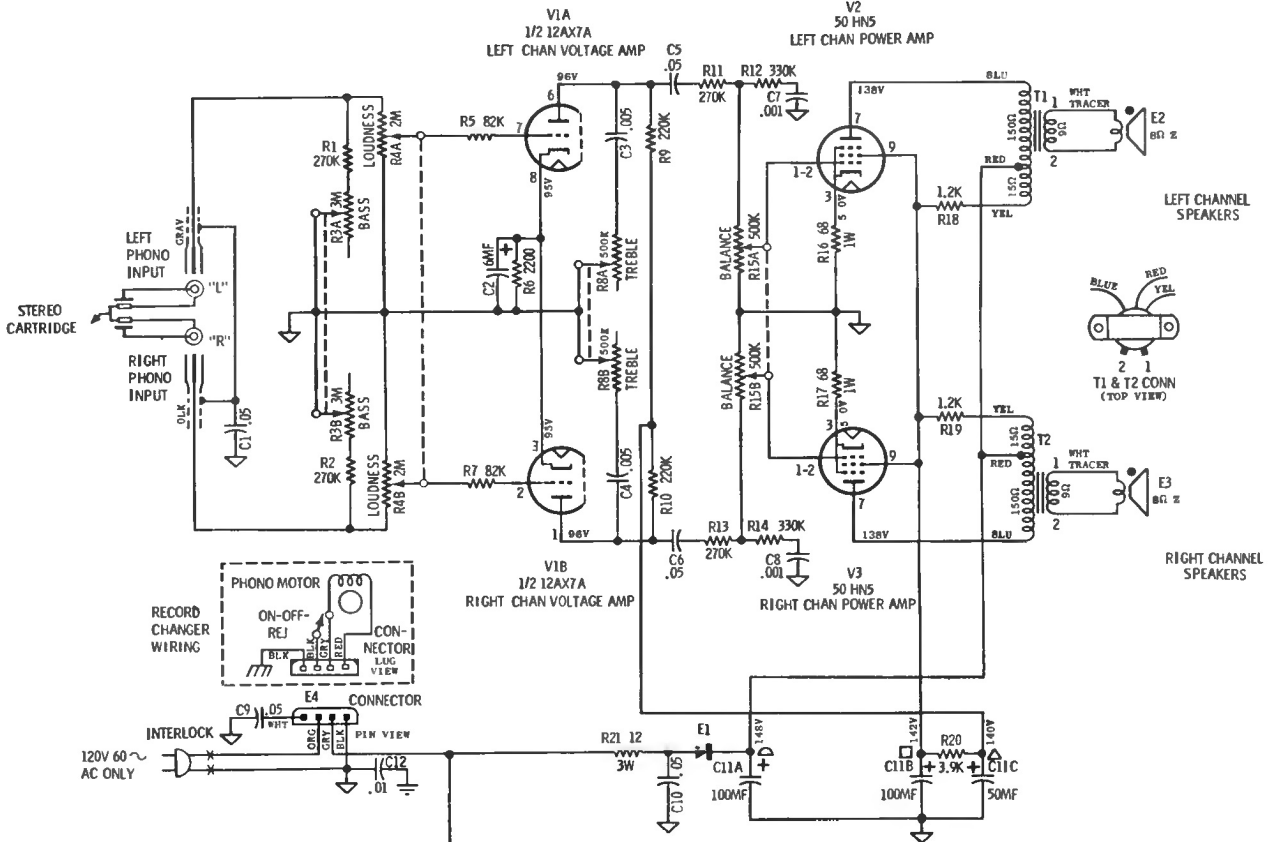


MOTOROLA

MODELS PP80A, PT81A CHASSIS HS-1269



CAPACITORS. Unless otherwise specified decimal values in MF; all others in MMF.
VOLTAGES: Measured from point indicated to B- with a VTVM, + 10%. No signal in.

⏚ = B- ⏚ = CHASSIS = RECORD CHANGER FRAME

V3 50HNS
RIGHT CHAN
POWER AMP

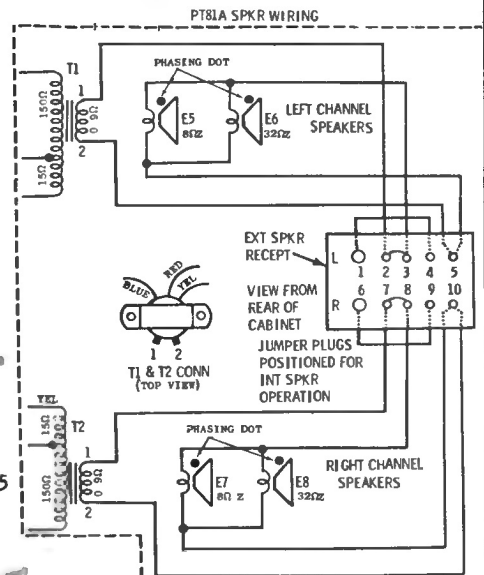
V1 12AX7A
LEFT & RIGHT CHAN
VOLTAGE AMP

V2 50HNS
LEFT CHAN
POWER AMP

RIGHT
LEFT

R15 BALANCE **R4** LOUDNESS **R3** BASS **R8** TREBLE

PARTS LOCATION



| SPKR | JUMPER LOCATION |
|------|-------------------|
| INT | 2 TO 3 7 TO 8 |
| BOTH | 3 TO 4 8 TO 9 |
| EXT | 4 TO 5 9 TO 10 |